

Product information sheet LINUS-S

Item no. 516688

Benefits



- High spout for easy filling of pans and vases
- Extendable spray head
- Design and colour of tap and coloured sink are a perfect match

Colours



Available colours:

anthracite
alumetallic
coffee
white
jasmin
tartufo
rock grey
pearl grey

SILGRANIT-Look anthracite

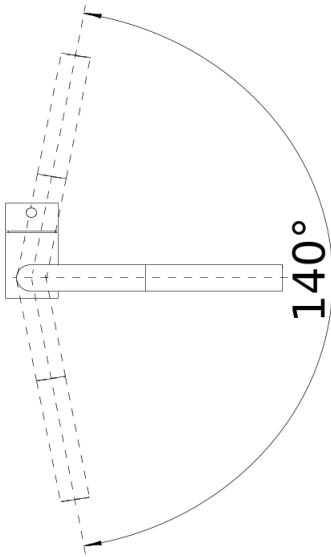
Planning information

- Please note:
- High pressure supply only - requires minimum of 1.0 bar pressure (approx 10 metre head), preferred 1.0-1.5 bar
- 3/8" BSP connectors required (not supplied)
- Heavy duty metal tap stabilising bracket, fit when required. Item No. BL450775
- Height: 284
- Reach: 219
- Base: 45
- Tap hole: ø35

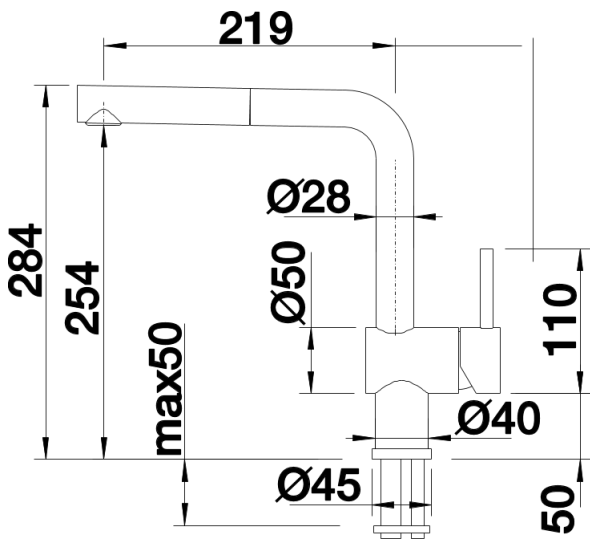
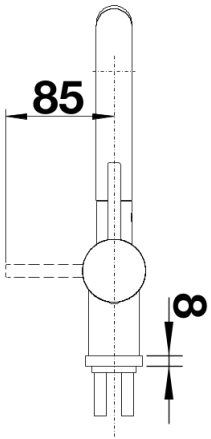
Scope of supply

- Single-lever mixer tap
- Spout can be swivelled by 140°
- Ø 35 mm tap hole required
- With ceramic disk cartridge
- Metal-sheathed spray hose
- Flexible connector pipes, 450 mm long and 3/8" nut for particularly easy installation
- Patented jet regulator for markedly reduced scaling
- Stabilisation plate to increase the stability of the tap when fitted in stainless steel sinks
- With non-return valve and thus guaranteed against reflux in accordance with EN 1717
- LGA approved
- DVGW approved

Details



Swivel range



Side view