



**Neff - U16E74N0GB**  
**BUILT-IN/BUILT-UNDER COOKER/OVEN**  
**Stainless steel**

- Handling:
- Stainless steel control fascia with faceted glass panel
- Retractable controls, Soft eject
- Revolution handle
- Electronic control
- Clear text display
- Illuminated operating mode display
- Digital oven temperature display
- Info button
- Rapid heat
- Child safety lock
- Automatic safety switch off
- Electronic clock
- Actual temperature display
- Optical temperature control
- Top oven:
- Multifunction oven with 9 cooking functions
- oven with 2 single shelf support rails
- Frameless full glass inner door
- Cooling fan
- Main oven:
- Multifunction oven with 14 functions
- Large capacity oven with 1 single telescopic rail - fully extendable - and 2 single shelf support rails
- NeffLight
- TitanEnamel
- CeramiClean side, back and roof liners
- Automatic cleaning-mode for EasyClean®
- Frameless full glass inner door
- Cooling fan

**Optional accessories:**

- Z1240X2 : ACCESSORIES COOKER/OVEN
- Z1272X0 : ACCESSORIES COOKER/OVEN
- Z1262X0 : glasspan
- Z1343X0 : Accessory
- Z1512X0 : Accessory
- Z1332X0 : Accessory
- Z1342X0 : Accessory
- N8642X0EU : System steam cooker
- Z1784X0 : Accessory

**Characteristics**

Color / Material Front : Stainless steel  
 Built-in / Free-standing : Built-in  
 Integrated Cleaning system - cavity 1 : easy to clean enamel, oxylytic  
 Dimensions of the product (mm) : 888 x 594 x 550  
 Dimensions of the packed product (HxWxD) (mm) : 980 x 660 x 700  
 Control Panel Material : stainless steel + glass insert  
 Door Material : Glass  
 Net weight (kg) : 66.00  
 Usable volume of cavity (l) : 27  
 Cooking method first cavity : Bottom heat, Pizza setting, Defrost, Bread Baking Setting, Thermo grill, Hot Air, Half width grill, Conventional heat, Full width grill  
 First cavity material : Enamel  
 Temperature control - cavity 1 : electronic  
 Number of interior lights : 1  
 Approval certificates : VDE, CE  
 Length electrical supply cord (m) :

**Consumption and connection features**

Energy consumption conventional (kWh) - cavity 1 : 0.79  
 Energy consumption forced air convection (kWh) - cavity 1 : 1  
 Electrical connection rating (W) : 6800  
 Current (A) : 20  
 Voltage (V) : 240  
 Frequency (Hz) : 50  
 Plug type : No plug

**Alternative colors available:**

**B**

Energy efficiency class

BUILT-IN/BUILT-UNDER COOKER/OVEN  
 Neff - U16E74N0GB

Predecessor:

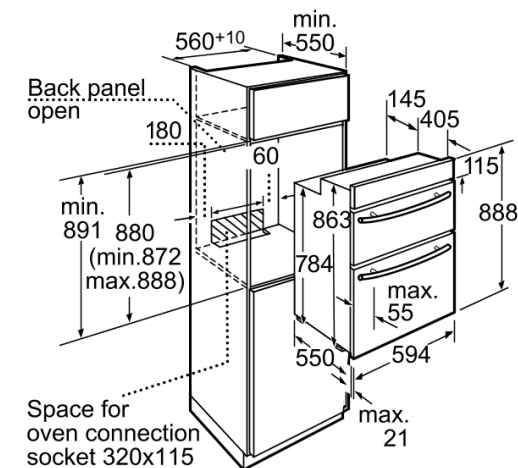
Successor:

EAN code: 4242004116394

sales programme:

**Included accessories:**

3 x baking and roasting shelf flat, 1 x baking and roasting shelf cranked, 1 x universal pan



Measurements in mm