



Neff - U15E54N0GB
BUILT-IN/BUILT-UNDER COOKER/OVEN
Stainless steel

- Handling:
- Stainless steel control fascia with faceted glass panel
- Retractable controls
- Revolution handle
- Electronic control
- Illuminated operating mode display
- Digital oven temperature display
- Info button
- Rapid heat
- Child safety lock
- Automatic safety switch off
- Electronic clock
- Actual temperature display
- Optical temperature control
- Top oven:
- Conventional oven with 4 operation modes
- oven with 2 single shelf support rails
- Frameless full glass inner door
- Cooling fan
- Main oven:
- Multifunction oven with 14 functions
- Round lamp
- TitanEnamel
- CeramiClean side, back and roof liners
- Automatic cleaning-mode for EasyClean®
- Frameless full glass inner door
- Cooling fan

Optional accessories:

- Z1784X0 : Accessory
- Z1512X0 : Accessory
- Z1240X2 : ACCESSORIES COOKER/OVEN
- Z1342X0 : Accessory
- Z1262X0 : glasspan
- N8642X0EU : System steam cooker
- Z1343X0 : Accessory
- Z1272X0 : ACCESSORIES COOKER/OVEN
- Z1332X0 : Accessory

Characteristics

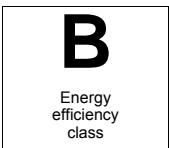
Color / Material Front : Stainless steel
 Built-in / Free-standing : Built-in
 Integrated Cleaning system - cavity 1 : easy to clean enamel, oxylytic
 Dimensions of the product (mm) : 888 x 594 x 550
 Dimensions of the packed product (HxWxD) (mm) : 980 x 660 x 700
 Control Panel Material : stainless steel + glass insert
 Door Material : Glass
 Net weight (kg) : 58.00
 Usable volume of cavity (l) : 30
 Cooking method first cavity : Half width grill, Conventional heat, Full width grill, Bottom heat
 First cavity material : Enamel
 Temperature control - cavity 1 : electronic
 Number of interior lights : 1
 Approval certificates : VDE, CE
 Length electrical supply cord (m) :

Consumption and connection features

Energy consumption conventional (kWh) - cavity 1 : 0.79
 Energy consumption forced air convection (kWh) - cavity 1 :
 Electrical connection rating (W) : 5700
 Current (A) : 20
 Voltage (V) : 240
 Frequency (Hz) : 50
 Plug type : No plug

Alternative colors available:

U15E54S0GB : BUILT-IN/BUILT-UNDER COOKER/OVEN



BUILT-IN/BUILT-UNDER COOKER/OVEN
 Neff - U15E54N0GB

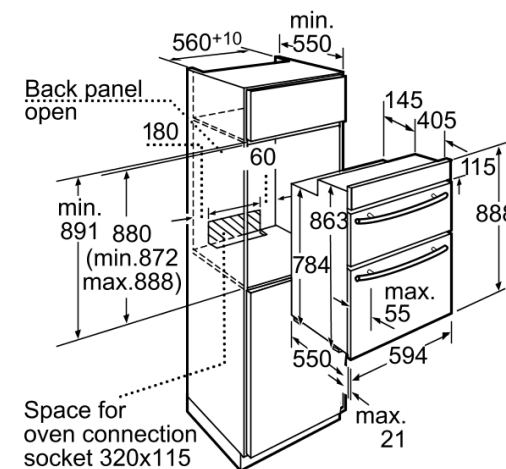
Predecessor:
 Successor:

EAN code: 4242004116325

sales programme:

Included accessories:

3 x baking and roasting shelf flat, 1 x baking and roasting shelf cranked, 1 x universal pan



Measurements in mm