

Neff - H56W20S0GB Black Microwave oven

- Suitable for tall housing installation
- 900 W Microwave
- 5 settings: 900 W, 600W, 360W, 180W, 90W
- automatic programming 7
- Side opening door with large viewing window, Left-hand hinged
- 25 litre Stainless steel interior
- Connected load 1.45 kW
- 130 cm power cable: Cable with plug

Optional accessories:

Characteristics

Type of micro-wave oven : MW only
 Type of control : electronical
 Color / Material Front : Black
 Dimensions of the product (mm) : 280 x 513 x 405
 Cavity dimensions (mm) : 215 x 337 x 354
 Length electrical supply cord (m) : 130.0
 Net weight (kg) : 17.00
 Gross weight (kg) : 19.00

Consumption and connection features

Maximum micro-wave power (W) : 900
 Power of the booster function (W) :
 Connection Rating (W) : 1450
 Current (A) : 10
 Voltage (V) : 230
 Frequency (Hz) : 50
 Plug type : GB plug

Alternative colors available:

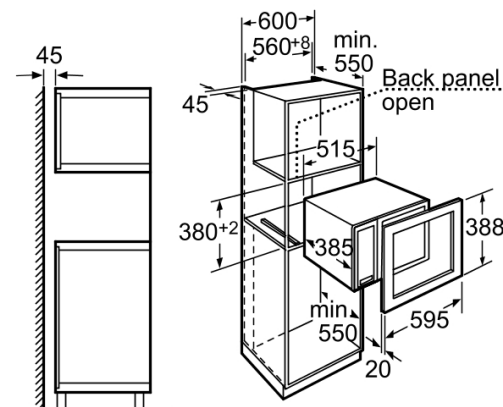
Microwave
 Neff - H56W20S0GB

Predecessor:
 Successor:

EAN code: 4242004120643

sales programme:

Included accessories:



measurements in mm