



### Neff - H56W20W0GB White Microwave oven

- Suitable for tall housing installation
- 900 W Microwave
- 5 settings: 900 W, 600W, 360W, 180W, 90W
- automatic programming 7
- Side opening door with large viewing window, Left-hand hinged
- 25 litre Stainless steel interior
- Connected load 1.45 kW
- 130 cm power cable: Cable with plug

#### Optional accessories:

#### Characteristics

Type of micro-wave oven : MW only  
 Type of control : electronical  
 Color / Material Front : White  
 Dimensions of the product (mm) : 280 x 513 x 405  
 Cavity dimensions (mm) : 215 x 337 x 354  
 Length electrical supply cord (m) : 130.0  
 Net weight (kg) : 17.00  
 Gross weight (kg) : 19.00

#### Consumption and connection features

Maximum micro-wave power (W) : 900  
 Power of the booster function (W) :  
 Connection Rating (W) : 1450  
 Current (A) : 10  
 Voltage (V) : 230  
 Frequency (Hz) : 50  
 Plug type : GB plug

#### Alternative colors available:

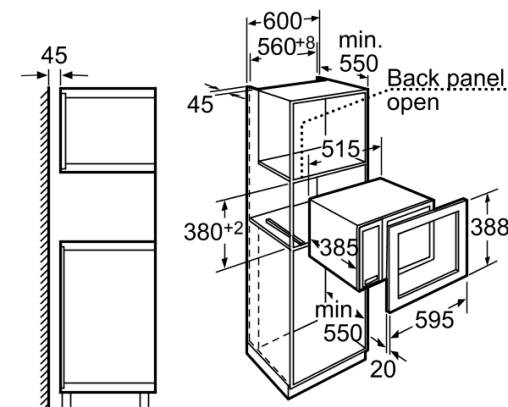
Microwave  
 Neff - H56W20W0GB

Predecessor:  
 Successor:

EAN code: 4242004120636

sales programme:

#### Included accessories:



measurements in mm