



Neff - C54L70N0GB Microwave oven with grill

- 21 litre Stainless steel interior
- Side opening door with large viewing window, Left-hand hinged
- Memory-Function (2 settings)
- Time-of-day display
- Microwave stage cooking: yes
- InnoWave Technology
- Suitable for tall housing installation, For installation into a 60cm wide wall cupboard
- Connected load 1.99 kW
- 150 cm power cable: Cable with plug
- 900 W Microwave
- 5 settings: 900 W, 600W, 360W, 180W, 90W

Optional accessories:

Characteristics

Type of micro-wave oven : MW+Grill function
 Type of control : electronical
 Color / Material Front : Stainless steel
 Dimensions of the product (mm) : 382 x 595 x 320
 Cavity dimensions (mm) : 220 x 350 x 270
 Length electrical supply cord (m) : 150.0
 Net weight (kg) : 20.00
 Gross weight (kg) : 22.00

Consumption and connection features

Maximum micro-wave power (W) : 900
 Power of the booster function (W) :
 Connection Rating (W) : 1990
 Current (A) : 10
 Voltage (V) : 230
 Frequency (Hz) : 50
 Plug type : GB plug

Alternative colors available:

Built-in microwave oven with grill
 Neff - C54L70N0GB

Predecessor:
 Successor:

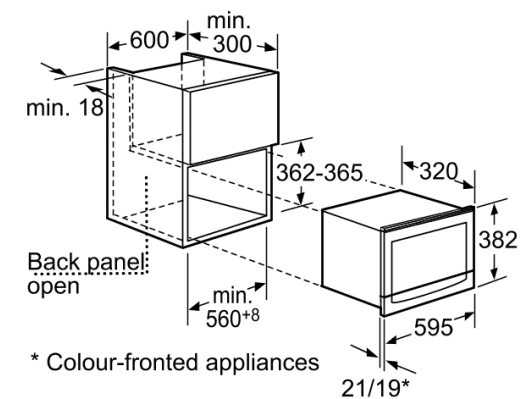
EAN code: 4242004118534

sales programme:

Included accessories:

1 x glass pan, 1 x grid

Microwave
 in a wall-hanging cupboard



* Colour-fronted appliances

Measurements in mm