

**Picture is in development
and not available!**



Neff - H53W60W0GB White Microwave oven

- Suitable for tall housing installation, For installation into a 60cm wide wall cupboard
- 800 W Microwave
- 5 settings: 800 W, 600W, 360W, 180W, 90W
- automatic programming 7
- Side opening door with large viewing window, Left-hand hinged
- 17 litre Stainless steel interior
- Connected load 1.27 kW
- 130 cm power cable: Cable with plug

Optional accessories:

Characteristics

Type of micro-wave oven : MW only
 Type of control : electronical
 Color / Material Front : White
 Dimensions of the product (mm) : 280 x 453 x 320
 Cavity dimensions (mm) : 194 x 290 x 274
 Length electrical supply cord (m) : 130.0
 Net weight (kg) : 14.00
 Gross weight (kg) : 16.00

Consumption and connection features

Maximum micro-wave power (W) : 800
 Power of the booster function (W) :
 Connection Rating (W) : 1270
 Current (A) : 10
 Voltage (V) : 230
 Frequency (Hz) : 50
 Plug type : GB plug

Alternative colors available:

Microwave
 Neff - H53W60W0GB

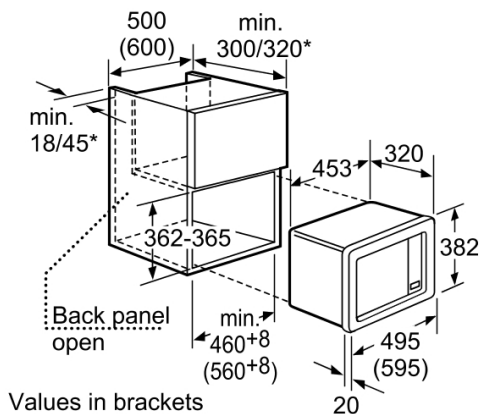
Predecessor:
 Successor:

EAN code: 4242004119166

sales programme:

Included accessories:

1 x mounting frame



Values in brackets
 for a 60 cm wide cupboard
 * = values for appliance with grill

Measurements in mm