



Neff - T67F76N0
70 cm Gas hob, Ceramic
FlameTronic

- 5 gas burners
- 1 dual wok burner
- 1 high speed, 2 standard, 1 economy burner
- Front left: Standard burner 1.9 KW
- Rear left: Standard burner 1.9 KW
- Centre: Wok burner 4.25 KW
- Rear right: High speed burner 2.8 KW
- Front right: Economy burner 1.1 KW
- Fully electronic ignition
- Rotary knob (without push)
- Electronic flame failure safety device
- Automatic shut off after max. 6h
- Re-ignition
- Quick stop function
- Child lock
- 5-fold residual heat display
- Cast iron pan supports
- Bevelled design Stainless steel trim
- Electrical cable length 1 m
- Preset of natural gas (20mbar)
- LPG jets (28-30/37mbar) included

Optional accessories:

Characteristics

Product name/family : gas hob w integrated controls
 Built-in / Free-standing :
 Energy input : Gas
 Total number of positions that can be used at the same time : 5
 Type of control setting devices : sword knobs
 Required niche size for installation (HxWxD) : 45 x 560 x 490
 Width of the product (mm) : 708
 Dimensions of the product (mm) : 48 x 708 x 546
 Dimensions of the packed product (HxWxD) (mm) : 170 x 665 x 835
 Net weight (kg) : 15.00
 Gross weight (kg) : 16.00
 Residual heat indicator :
 Location of control panel : Hob front
 Type of external control possibility :
 Basic surface material : Ceramic
 Color of surface : Black, Stainless steel
 Color of frame : Black, Stainless steel
 Approval certificates : CE
 Length electrical supply cord (m) : 100.0

Consumption and connection features

Electrical connection rating (W) : 3
 Gas connection rating (W) : 11950
 Current (A) : 3
 Voltage (V) : 220-240
 Frequency (Hz) : 60; 50

Alternative colors available:

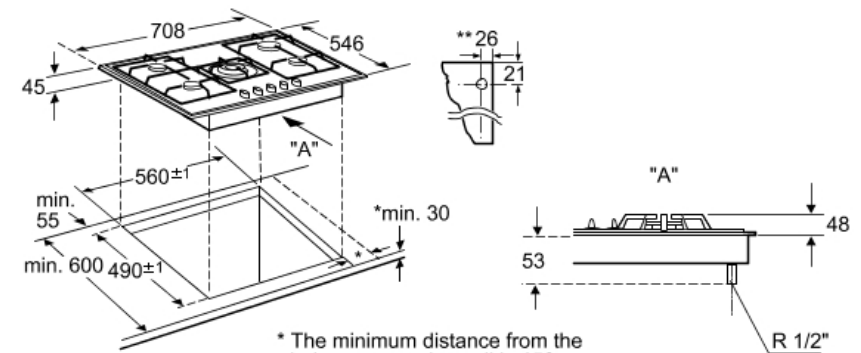
Gas hob
 Neff - T67F76N0

Predecessor:
 Successor:

EAN code: 4242004113492

sales programme:

Included accessories:
 1 x WOK attachment ring



* The minimum distance from the hob cut-out to the wall is 150 mm
 ** Position of the gas connection in the cut-out

All measurements in mm