

**Neff - T12D20X0**  
**Electric cooktop**  
**Electric cooktop with integrated controls**

- frameless with printing
- Type of appliance width: 60 cm width
- 4 HighSpeed cooking zones
- 1 dual circuit zone
- Touch control
- Digital display
- 2-stage residual heat indicator for each zone
- Main on-off sensor with stop-function
- wipe protection function
- Warming zone
- Child safety lock
- Automatic safety switch off
- connecting value 6600 W
- Number of operating lights: 1 PC

**Optional accessories:**

Z9363X0 : Accessories electric cookers/ovens

**Characteristics**

Product name/family : Cooking zone ceramic  
Built-in / Free-standing :  
Energy input : Electric  
Total number of positions that can be used at the same time : 4  
Type of control setting devices : TouchControl Basic  
Required niche size for installation (HxWxD) : 44 x 560 x 490  
Width of the product (mm) : 592  
Dimensions of the product (mm) : 50.0 x 592 x 522  
Dimensions of the packed product (HxWxD) (mm) : 100 x 590 x 750  
Net weight (kg) : 7.00  
Gross weight (kg) : 8.00  
Residual heat indicator :  
Location of control panel : Hob front  
Type of external control possibility :  
Basic surface material :  
Color of surface : Black  
Color of frame :  
Approval certificates : CE, VDE  
Length electrical supply cord (m) :

**Consumption and connection features**

Electrical connection rating (W) : 6600  
Gas connection rating (W) :  
Current (A) :  
Voltage (V) : 220-240  
Frequency (Hz) : 60; 50

**Alternative colors available:**

Electric cooktop  
Neff - T12D20X0

Predecessor: T1323X0

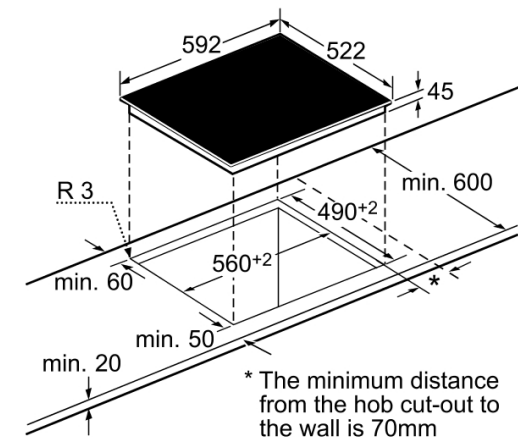
Successor:

EAN code: 4242004113102

sales programme:

**Included accessories:**

1 x glass scraper



Measurements in mm