



**Neff - T13K20N0**  
**Electric cooktop**  
**Electric cooktop with integrated controls**

- Black trim
- Type of appliance width: 60 cm width
- 4 HighSpeed cooking zones
- 1 dual circuit zone
- operation knobs in front
- Residual heat indicator for each zone
- connecting value 6600 W

**Optional accessories:**

**Characteristics**  
 Product name/family : Cooking zone ceramic  
 Built-in / Free-standing :  
 Energy input : Electric  
 Total number of positions that can be used at the same time : 4  
 Type of control setting devices : Sword knobs, Fixed  
 Required niche size for installation (HxWxD) : 47.5 x 560 x 490  
 Width of the product (mm) : 575  
 Dimensions of the product (mm) : 52.0 x 575 x 505  
 Dimensions of the packed product (HxWxD) (mm) : 100 x 590 x 750  
 Net weight (kg) : 7.00  
 Gross weight (kg) : 8.00  
 Residual heat indicator :  
 Location of control panel : Hob front  
 Type of external control possibility :  
 Basic surface material :  
 Color of surface : Black, Stainless steel  
 Color of frame : Stainless steel  
 Approval certificates : VDE, CE  
 Length electrical supply cord (m) :

**Consumption and connection features**  
 Electrical connection rating (W) : 6600  
 Gas connection rating (W) :  
 Current (A) :  
 Voltage (V) : 220-240  
 Frequency (Hz) : 50; 60

**Alternative colors available:**

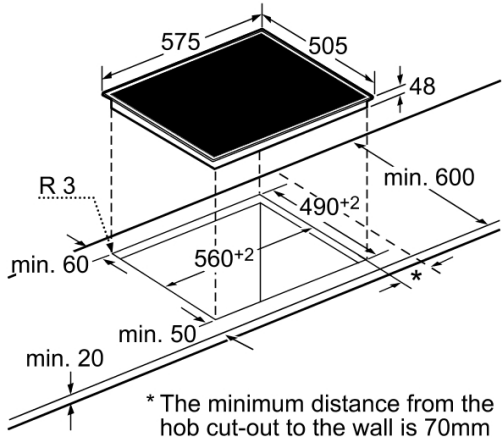
Electric cooktop  
 Neff - T13K20N0

Predecessor: T1243N0  
 Successor:

EAN code: 4242004110897

sales programme:

**Included accessories:**  
 1 x glass scraper



Measurements in mm