

Neff - T13K20W0
Electric cooktop
Electric cooktop with integrated controls

- Black trim
- Type of appliance width: 60 cm width
- 4 HighSpeed cooking zones
- 1 dual circuit zone
- operation knobs in front
- Residual heat indicator for each zone
- connecting value 6600 W

Optional accessories:

Characteristics
 Product name/family : Cooking zone ceramic
 Built-in / Free-standing :
 Energy input : Electric
 Total number of positions that can be used at the same time : 4
 Type of control setting devices : Sword knobs, Fixed
 Required niche size for installation (HxWxD) : 47.5 x 560 x 490
 Width of the product (mm) : 575
 Dimensions of the product (mm) : 52.0 x 575 x 505
 Dimensions of the packed product (HxWxD) (mm) : 100 x 590 x 750
 Net weight (kg) : 8.00
 Gross weight (kg) : 9.00
 Residual heat indicator :
 Location of control panel : Hob front
 Type of external control possibility :
 Basic surface material :
 Color of surface : Black, White
 Color of frame : White
 Approval certificates : VDE, CE
 Length electrical supply cord (m) :

Consumption and connection features

Electrical connection rating (W) : 6600
 Gas connection rating (W) :
 Current (A) :
 Voltage (V) : 220-240
 Frequency (Hz) : 60; 50

Alternative colors available:

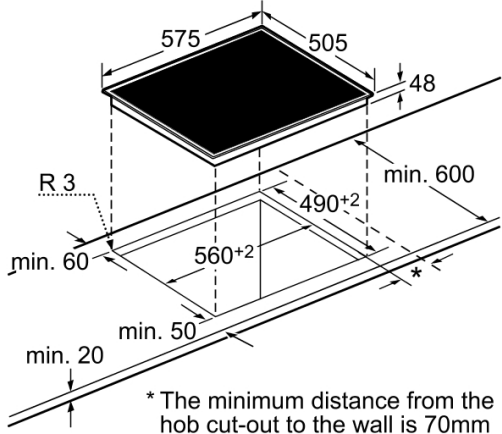
Electric cooktop
 Neff - T13K20W0

Predecessor: T1243W0
 Successor:

EAN code: 4242004112952

sales programme:

Included accessories:
 1 x glass scraper



Measurements in mm