



Neff - T11K10N0
Sealed plate cooktop
Electric cooktop with integrated controls

- Type of appliance width: 60 cm width
- 4 sealed plates
- operation knobs at right side
- Length connecting cable 100 cm
- connecting value 7000 W
- Number of operating lights: 1 PC

Optional accessories:

Characteristics
Product name/family : Cooking zone sealed hotplates
Built-in / Free-standing :
Energy input : Electric
Total number of positions that can be used at the same time : 4
Type of control setting devices : Fixed, Sword knobs
Required niche size for installation (HxWxD) : 45 x 560 x 490
Width of the product (mm) : 580
Dimensions of the product (mm) : 65.0 x 580 x 510
Dimensions of the packed product (HxWxD) (mm) : 115 x 580 x 650
Net weight (kg) : 11.00
Gross weight (kg) : 12.00
Residual heat indicator : without
Location of control panel : Hob front
Type of external control possibility :
Basic surface material :
Color of surface : Stainless steel
Color of frame :
Approval certificates : CE, AENOR
Length electrical supply cord (m) : 100.0

Alternative colors available:

Consumption and connection features
Electrical connection rating (W) : 7000
Gas connection rating (W) :
Current (A) : 25
Voltage (V) : 230
Frequency (Hz) : 60; 50

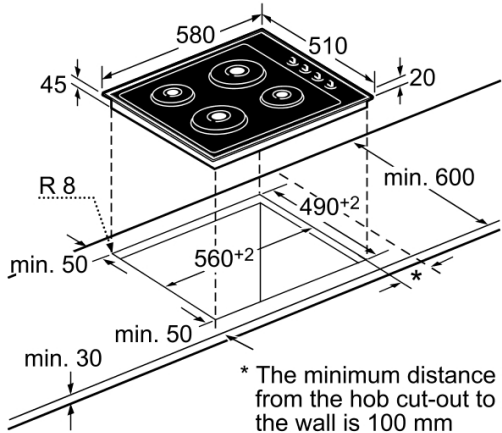
Sealed plate cooktop
Neff - T11K10N0

Predecessor: T1113N2EU
Successor:

EAN code: 4242004113874

sales programme:

Included accessories:



All measurements in mm