



**Neff - T11K10S0**  
**Sealed plate cooktop**  
**Electric cooktop with integrated controls**

- Type of appliance width: 60 cm width
- 4 sealed plates
- operation knobs at right side
- Length connecting cable 100 cm
- connecting value 7000 W
- Number of operating lights: 1 PC

**Optional accessories:**

**Characteristics**

Product name/family : Cooking zone sealed hotplates  
 Built-in / Free-standing :  
 Energy input : Electric  
 Total number of positions that can be used at the same time : 4  
 Type of control setting devices : Sword knobs, Fixed  
 Required niche size for installation (HxWxD) : 45 x 560 x 490  
 Width of the product (mm) : 580  
 Dimensions of the product (mm) : 65.0 x 580 x 510  
 Dimensions of the packed product (HxWxD) (mm) : 115 x 580 x 650  
 Net weight (kg) : 11.00  
 Gross weight (kg) : 12.00  
 Residual heat indicator : without  
 Location of control panel : Hob front  
 Type of external control possibility :  
 Basic surface material :  
 Color of surface : Black  
 Color of frame :  
 Approval certificates : AENOR, CE  
 Length electrical supply cord (m) : 100.0

**Consumption and connection features**

Electrical connection rating (W) : 7000  
 Gas connection rating (W) :  
 Current (A) : 25  
 Voltage (V) : 230  
 Frequency (Hz) : 60; 50

**Alternative colors available:**

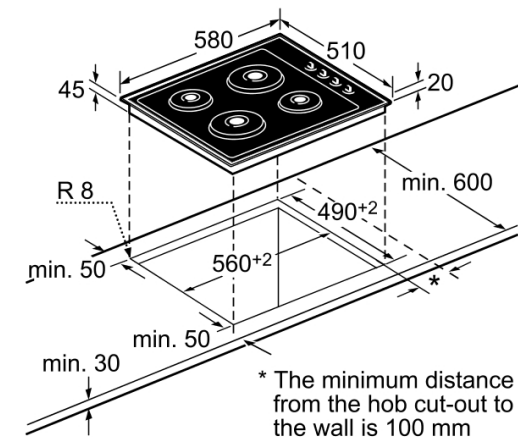
Sealed plate cooktop  
 Neff - T11K10S0

Predecessor:  
 Successor:

EAN code: 4242004113898

sales programme:

**Included accessories:**



All measurements in mm