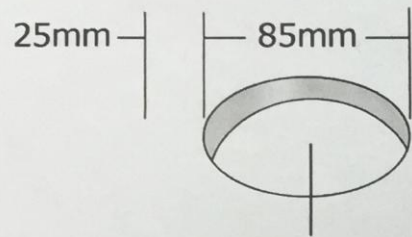


# POP UP POWER SOCKET - MODEL: MI.PUS.000

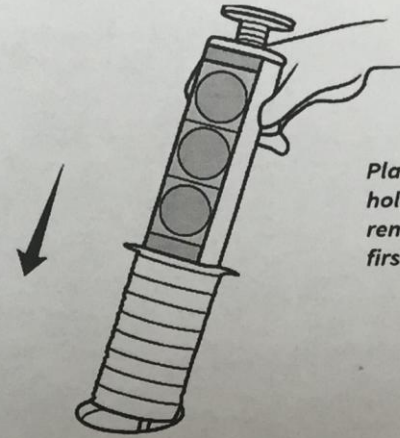
# INSTALLATION INSTRUCTION

1



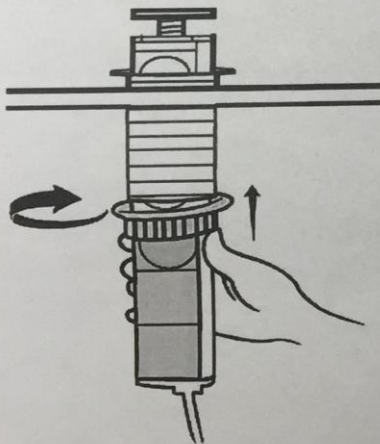
*Cut out a 85mm diameter hole in the work surface. Allow a minimum clearance of 25mm around the hole*

2



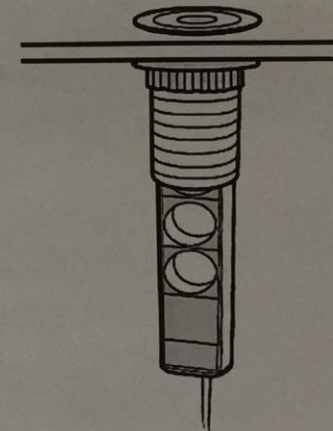
*Place Pop Up Socket through the hole as illustrated. Remember to remove the screw on locking collar first.*

3



*With the Pop Up socket in place, slide the locking collar up to the POS thread and tcrew upwards until the collar is firmly tightened.*

4



*Connect the mains plug below the work surface and gently push to POS down until it locks in place and is flush with the worktop.*