

Special hinge

- ▶ Optimat Plus 4 FM
- ▶ Concealed hinge for front panel frame, opening angle 110°

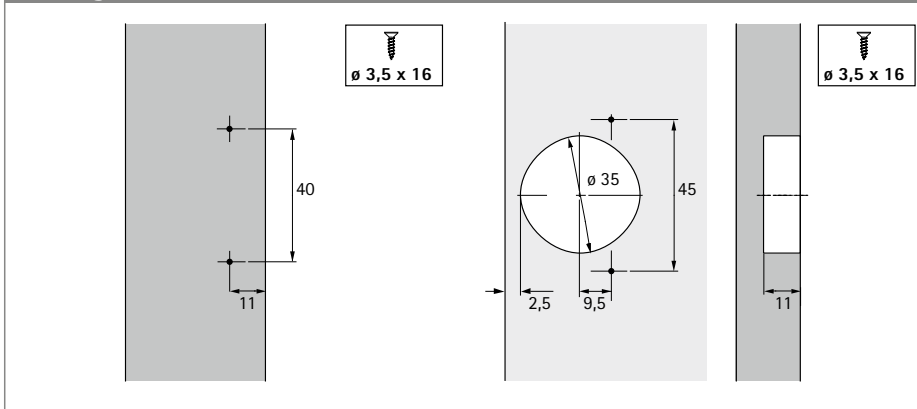


- ▶ Suitable for all frame widths
- ▶ Quality classification under EN 15570, Level 1
- ▶ For door thicknesses from 13 mm
- ▶ Cup diameter 35 mm
- ▶ Cup depth 11 mm
- ▶ With self closing feature
- ▶ Door overlay at least 37 mm (hinge arm flush with the edge of the frame)
- ▶ Cup distance 2.5 mm
- ▶ Overlay adjustment + 1.5 mm / - 1.5 mm
- ▶ Height adjustment + 2 mm / - 2 mm
- ▶ Steel, nickel plated

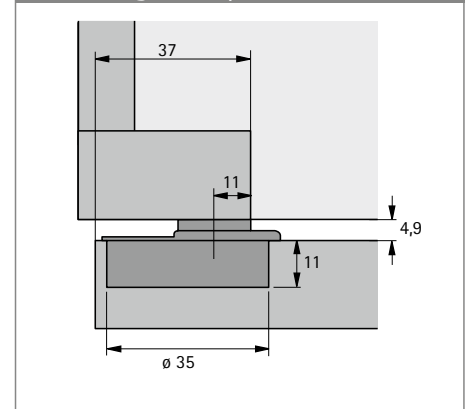
Optimat Plus 4 FM

Order no.	PU
9 072 548	1/50 ea.

Drilling hole distances for frame / door

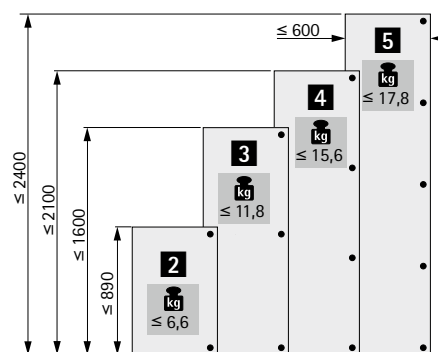


Mounting example



Number of hinges per door

Door format, weight and material quality are crucial factors determining the number of hinges required. The distance between the top and bottom hinge must be at least equal to the width of the door.



Minimum reveal per door

Door thickness	Cup distance C mm
mm	2.5
16	4.2
19	6.7