

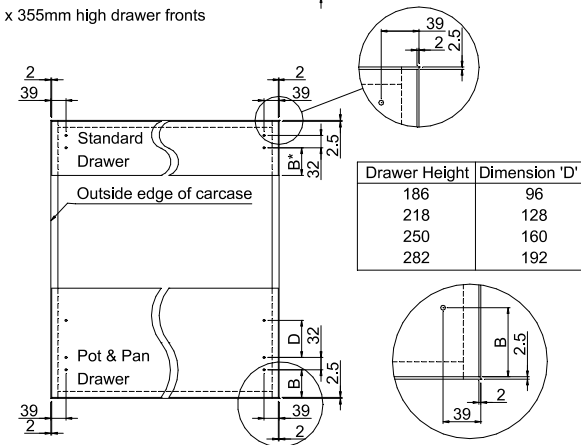
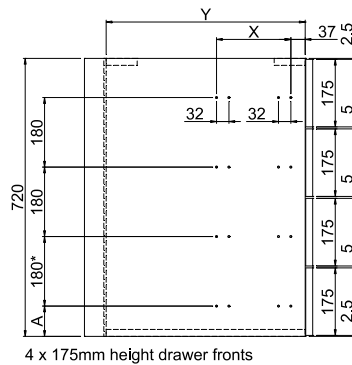
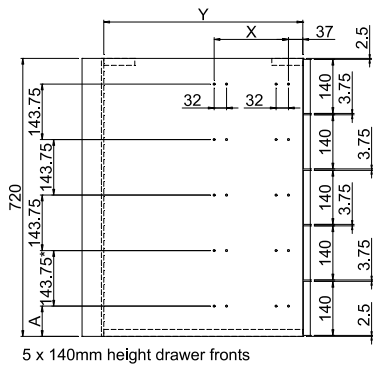
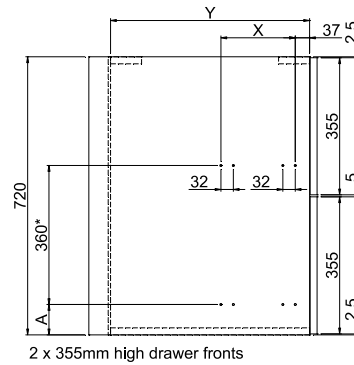
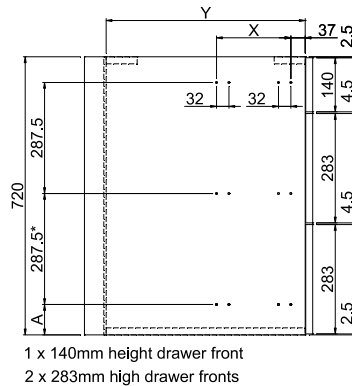
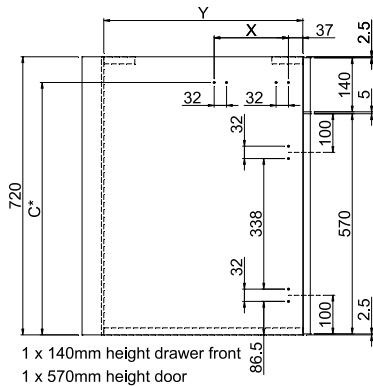
# ArciTech Cabinet Drilling Patterns

05-11-2018

1. Carcase drilling (all dimensions based on 18mm panel thickness)
  2. Drill pilot holes for woodscrews or 5mm holes for Euro screws
  3. Runner positions allow for identical drilling of drawer fronts
- For optimised drawer spacing dimensions marked \* must be reduced by 16mm

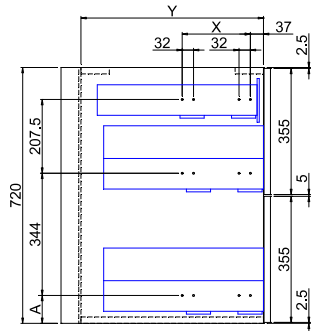
Runner Type	Dimension 'A'	Dimension 'B'	Dimension 'C'
Silent System	72.5	65.5	647.5
Push to open Silent 2	78.5	71.5	653.5

Drawer length	Dimension 'X'	Minimum internal depth 'Y'			
		Silent System Runners		Push-to-Open Silent 2 Runners	
		Drawer	Internal Drawer	Drawer	Internal Drawer
270	128	273	282	273	291
300	160	303	312	303	321
350	192	353	362	353	371
400	192	403	412	403	421
450	192	453	462	453	471
500	224	503	512	503	521
550	256	553	562	553	571
650	288	653	662	653	671

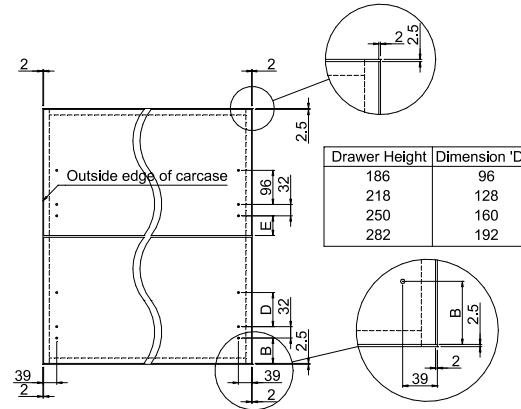


# ArciTech Cabinet Drilling Patterns

05-11-2018



2 x 355mm high drawer fronts  
 Topmost drawer:  
 186mm height with 94mm height internal drawer



Runner Type	Dimension 'A'	Dimension 'B'	Dimension 'E'
Silent System	72.5	65.5	49.5
Push to open Silent 2	78.5	71.5	55.5

## PanelCutting List

Dimensions based on:  
 19mm end panel thickness with EB 12 runners  
 18mm end panel thickness with EB 13 runners  
 16mm end panel thickness with EB 15 runners

Cabinet Width	Base Panel Width	Back Panel Width
275	160.5	149
300	185.5	174
350	235.5	224
400	285.5	274
450	335.5	324
500	385.5	374
550	435.5	424
600	485.5	474
700	585.5	574
800	685.5	674
900	785.5	774
1000	885.5	874
1200	1085.5	1074

Drawer length	Base Panel length	
	Steel Back	Aluminum/Wood Back
270	249	245.5
300	279	275.5
350	329	325.5
400	379	375.5
450	429	425.5
500	479	475.5
550	529	525.5
650	629	625.5

Drawer height	BackPanel height
78	68.5
94	84.5
126	116.5
186	176
218	208
250	240
282	272

Technik für Möbel

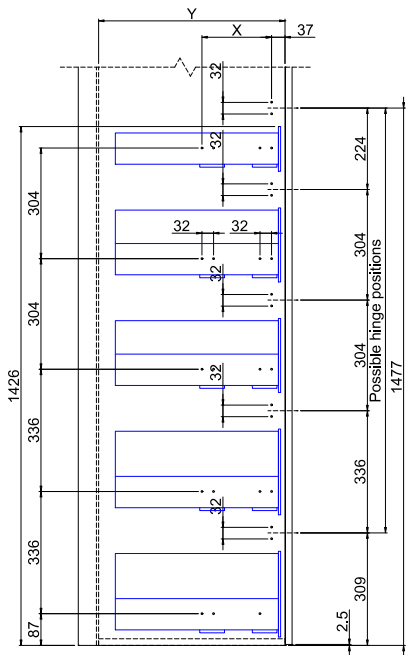


# ArciTech Cabinet Drilling Patterns

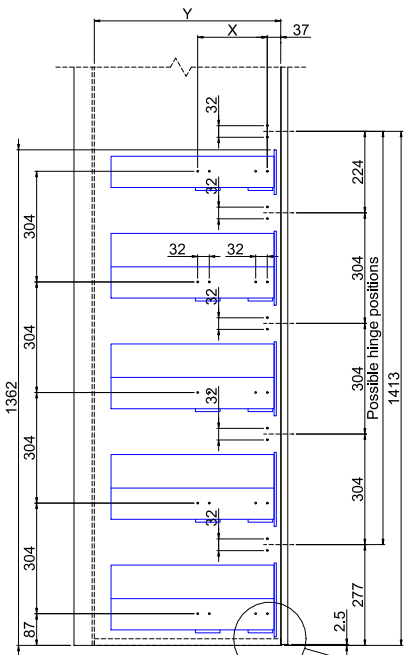
05-11-2018

## Intelligent Larders

Drawer length	Dimension 'X'	Minimum internal depth 'Y'			
		Silent System Runners		Push-to-Open Silent 2 Runners	
		Drawer	Internal Drawer		
270	128	273	282	273	291
300	160	303	312	303	321
350	192	353	362	353	371
400	192	403	412	403	421
450	192	453	462	453	471
500	224	503	512	503	521
550	256	553	562	553	571
650	288	653	662	653	671



Option 1  
 2 x 218mm height internal drawers  
 2 x 186mm height internal drawers  
 1 x 94mm height internal drawer



Option 2  
 4 x 186mm height internal drawers  
 1 x 94mm height internal drawer

